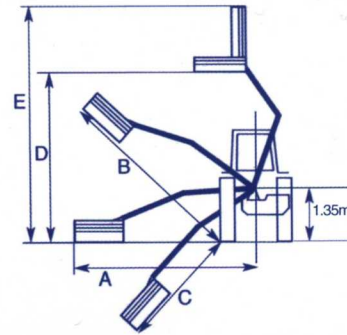


# BOMFORD

## Wren

- 3m reach
- 850mm cutting head, or 1.5m cutter bar
- Independent hydraulics
- Cat I/II three point linkage mounted



### Wren Range - Dimensions with 0.85 Flail head

<b>A</b>	3.1	10'2"
<b>C</b>	1.8	5'10"
<b>D</b>	2.1	6'10"
<b>E</b>	3.4	11'2"



### Features

<b>Mounting</b>	Cat I/II 3 Point Linkage
<b>Head rotation</b>	205°
<b>Rotor speed</b>	2526 rpm
<b>Number of flails</b>	72
<b>Flail type</b>	Y type
<b>Cutting Width</b>	0.85 m
<b>Roller diameter</b>	76mm
<b>PTO speed</b>	540 rpm
<b>Oil capacity</b>	47 L
<b>Weight inc head &amp; oil</b>	270 kg (594lbs)
<b>Power requirement</b>	15 Hp min.

### 3.1 Metre (10'2")