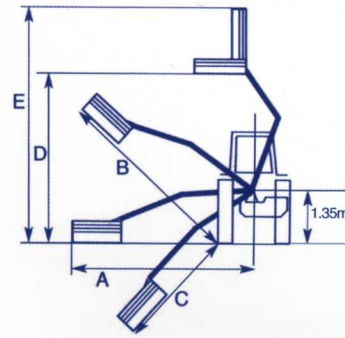


# BOMFORD

## B315 B427

- 3.1m or 4.2m reach
- End drive cutting head or cutter bar
- Low friction cable controls
- Choice of flails



**B315 Flail Head    B315 Cutter Bar    B427**

<b>A</b>	3.1	3.8	4.2
<b>B</b>	3.2	3.9	3.1
<b>C</b>	2.0	2.7	2.4
<b>D</b>	3.0	3.2	3.1
<b>E</b>	3.8	4.5	4.5



### Features

Features	B315 Flail Head	B315 Cutter Bar	B427
<b>Reach</b>	3.1m (10'2")	3.8m (12'5")	4.2m (13'9")
<b>Tractor Size hp/kgs (min)</b>	25/1300	25/1200	35/1700
<b>Mounting System</b>	Cat I linkage	Cat I linkage	Cat II linkage
<b>Breakaway</b>	Hydraulic 2nd arm	Hydraulic 2nd arm	Mechanical
<b>Twin Pump Hydraulic System</b>	Opt	Opt	Opt
<b>Gear Pump Hydraulic Circuit</b>	50L/min = 21hp	50L/min = 21hp	70L/min = 45hp
<b>Parallel Arm Geometry</b>	std	std	n/a
<b>Cable Controls</b>	std	std	std
<b>Weight inc head &amp; oil</b>	450kg	385kg	680kg
<b>Oil Tank Capacity</b>	66L	66L	115L
<b>Head Float/Arm Float</b>	std/opt	std/opt	std/opt